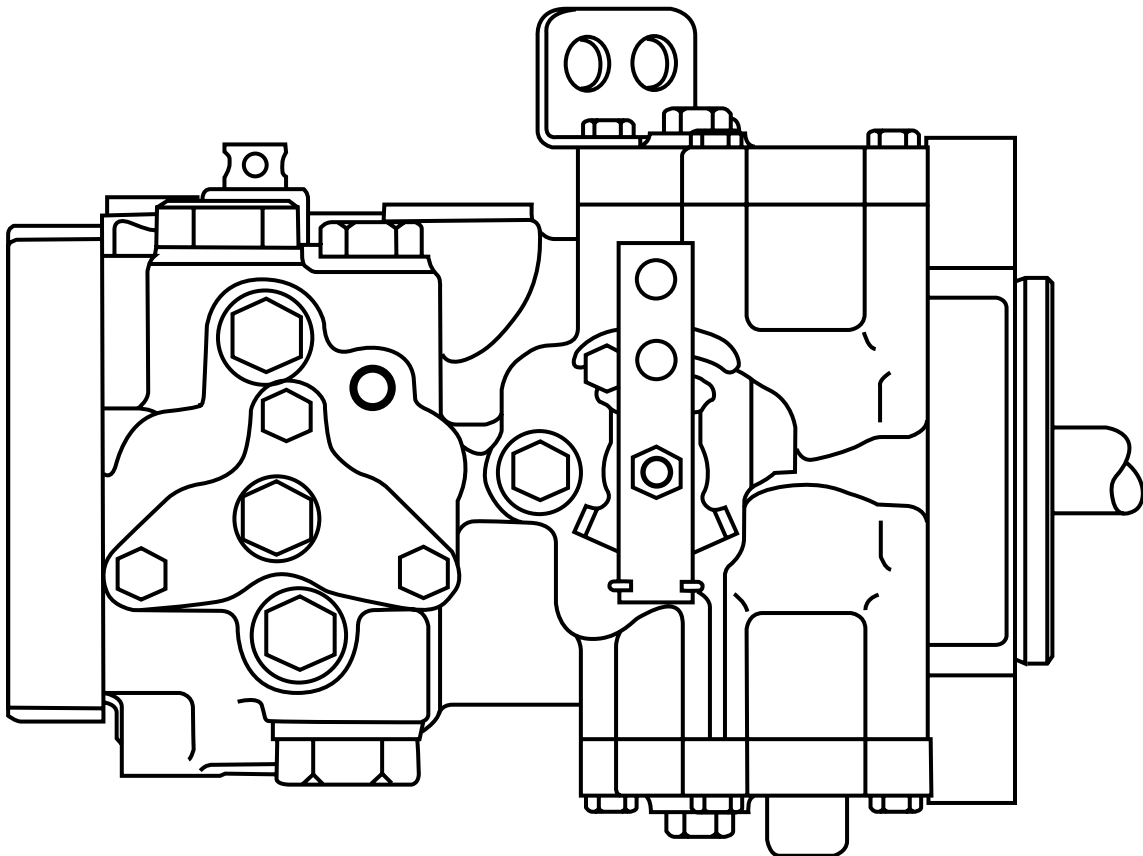


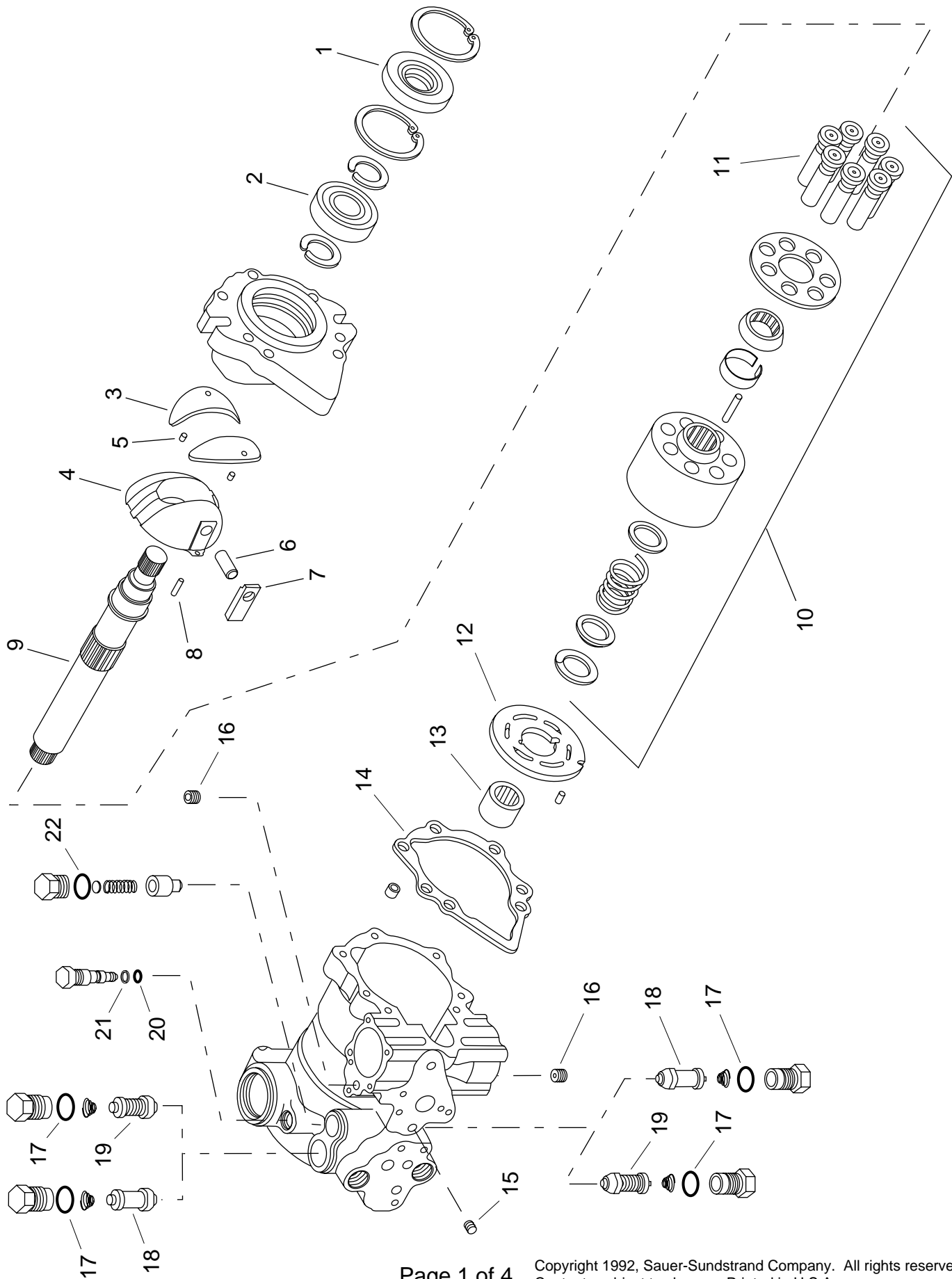
**SAUER  SUNDSTRAND**

**M46 Medium Duty  
Variable Displacement Pump  
QUICK REFERENCE  
Parts List**



Call (515) 239-6366 for the Location of  
Your Nearest Genuine Service Parts Source

# M46 Variable Displacement Pump



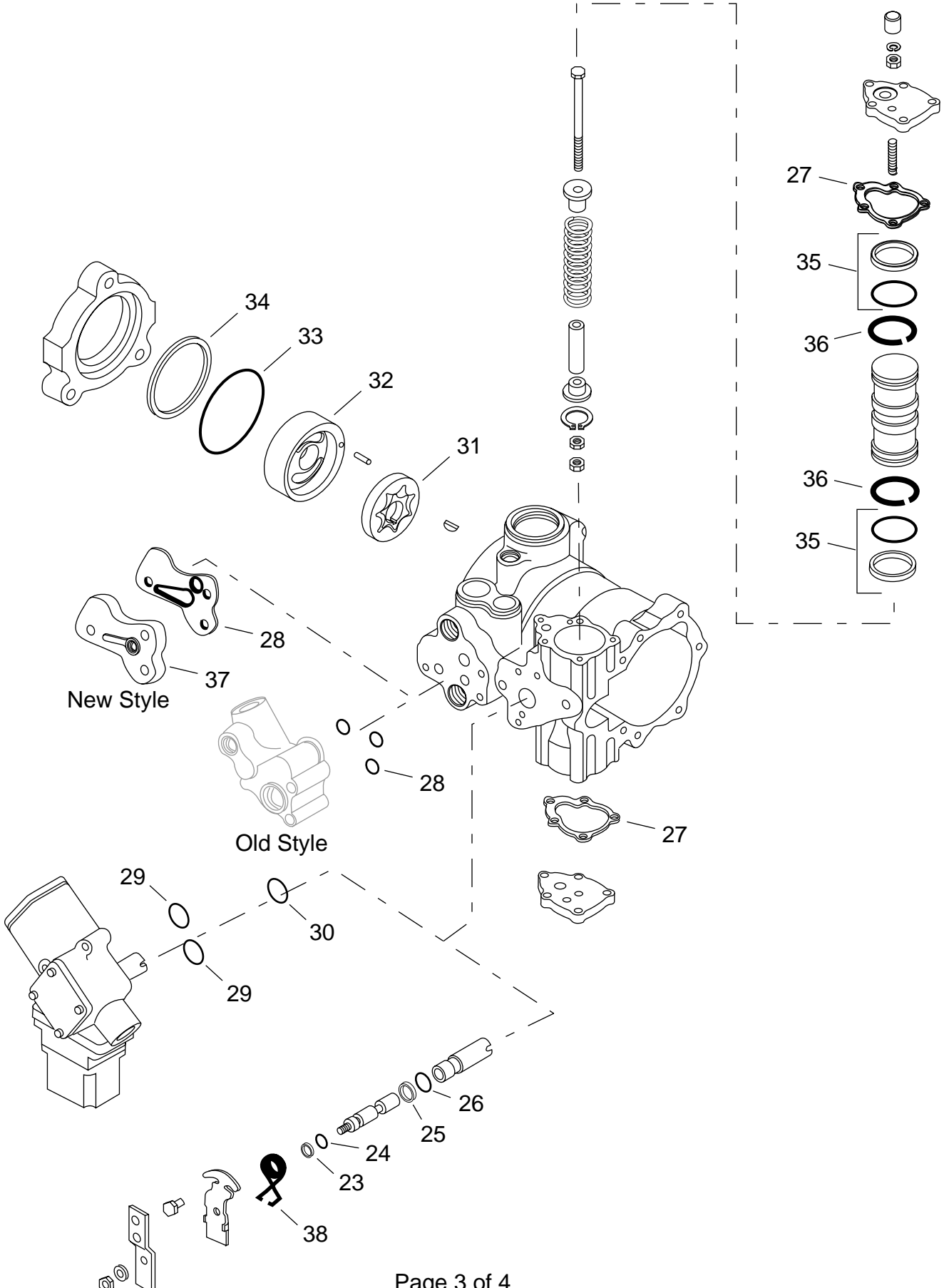
# M46 Variable Displacement Pump

## QUICK REFERENCE Parts List

Item #	Description	Part Number	Item #	Description	Part Number	
	Overhaul Gasket/Seal Kit	4510017	13	Needle Bearing	9001465-0010	
1	Lip Seal	9008000-0121	14	Front Cover Gasket	4460564	
2	Ball Bearing	9001315-0011	15	Control Orifice, MDC, .031"	4800155-0006	
3	Journal Bearing (for non-balanced swashplate)	4460325-0001		.036"	4460155-0001	
	Journal Bearing (for balanced swashplate)	4460320-0001		.041"	4460155-0004	
4	Swashplate (non-balanced)	4460393		.046"	4460155-0002	
	Swashplate (balanced)	4460394		.054"	4460155-0003	
5	Spring Pin	9004700-1206		.156" (considered none)	4460155-0007	
6	Straight Headless Pin	9004820-4416	.062"	4460155-0005		
			16	Control Orifice,EDC/HDC,.055"	4460333-0003	
				.037"	4460333-0001	
7	Sleeve Bearing	4460162	.031"	4460333-0005		
8	Pin	9004700-2512	17	O-ring	9004201-7500	
9	Shaft, 13 tooth, no aux. flange	4460304	18	Check Valve Poppet	3103348	
	13 tooth, 'A' flange/9 tooth	4460268				
	13 tooth, 'B' flange/13 tooth	4460269				
	15 tooth, no aux. flange	4460099				
	15 tooth, 'A' flange/9 tooth	4460102				
	15 tooth, 'A' flange/11 tooth	4460484				
	15 tooth, 'B' flange/13 tooth	4460104				
	tapered, no aux. flange	4460299				
	tapered, 'A' flange/9 tooth	4460309				
	tapered, 'A' flange/11 tooth	4460373				
	tapered, 'B' flange/13 tooth	4460419				
	straight key, no aux. flange	4460404				
	straight key, 'A' flange/9 tooth	4460390				
	10	Cylinder Block Kit	4460289	19	SCR Valve, 175 bar/2538 psi	3103375-0175
	11	Piston Assembly	4460650			190 bar/2755 psi
12	Valve Plate, CW	4460417	210 bar/3045 psi			3103375-0210
	Valve Plate, CCW	4460418	230 bar/3335 psi	3103375-0230		
	Valve Plate, Bi-Directional	4460119	250 bar/3625 psi	3103375-0250		
			280 bar/4060 psi	3103375-0280		
			300 bar/4350 psi	3103375-0300		
			345 bar/5000 psi	3103375-0345		
			360 bar/5220 psi	3103375-0360		
			415 bar/6020 psi	3103375-0415		
			20	O-ring	9004100-0120	
			21	Back Up Ring	9006110-0120	
			22	O-ring	9004201-6200	

**Warning: These part numbers are for units built after 90-44**

# M46 Variable Displacement Pump



# M46 Variable Displacement Pump QUICK REFERENCE Parts List

Item #	Description	Part Number
23	Back Up Ring	9006110-0120
24	O-ring	9004100-0120
25	Back Up Ring	9006110-0160
26	O-ring	9004100-0160
27	Servo Gasket	4460413
28	O-ring (refer to SB-9017) (old style adaptors)	9004101-0170
	Suction Filter Adaptor Seal (units built after 91-30)	4460655
	Remote Filter Adapter Seal (units built after 91-36)	4460656
29	O-ring	9004101-0140
30	O-ring	9004100-0210
31	Gerotor Assembly, .85	4800054-0001
32	Gerotor Cover	4800108-0001
33	Special O-ring	9004375-0023
34	Temper Load Ring	9700864
35	Servo Piston Ring Kit	4510002
36	Bearing Ring	4460648
37	Suction Filtration Adaptor	4460643
	Remote Filter Adaptor	4460644
38	Neutral return spring	4800078

**Warning: These part numbers are for units built after 90-44**