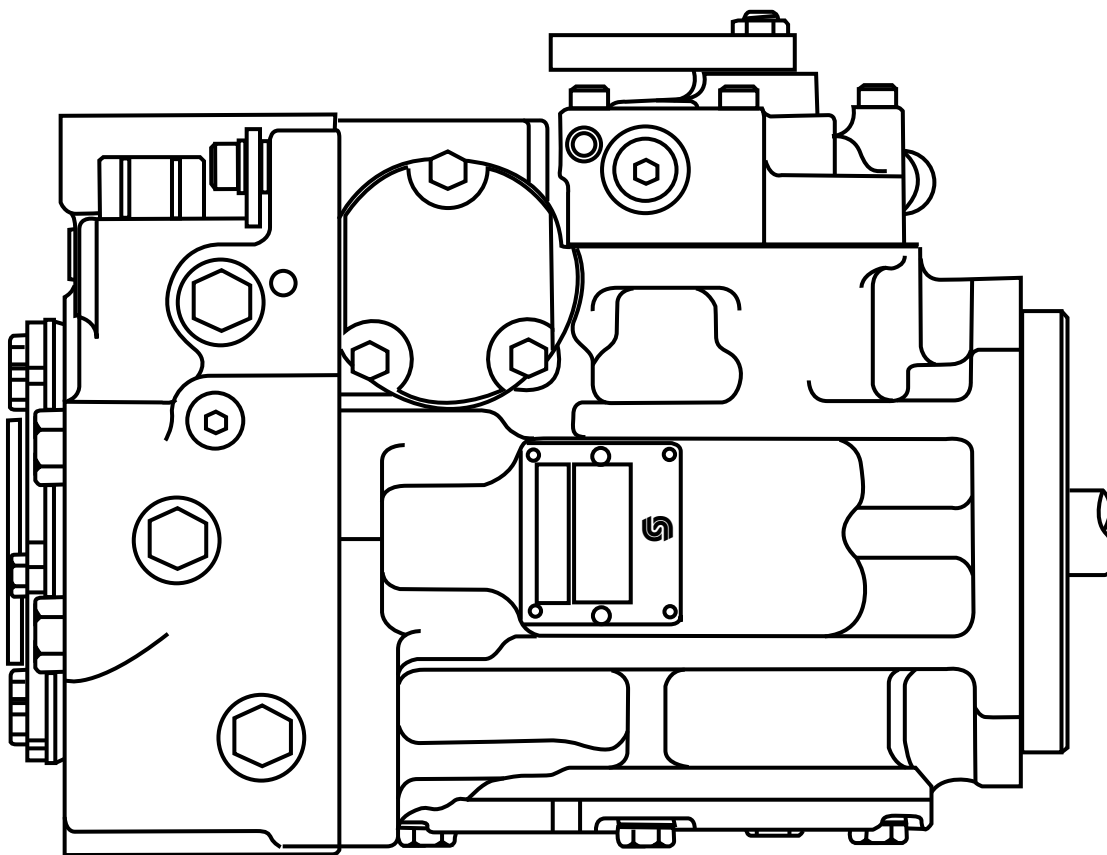

Series 90

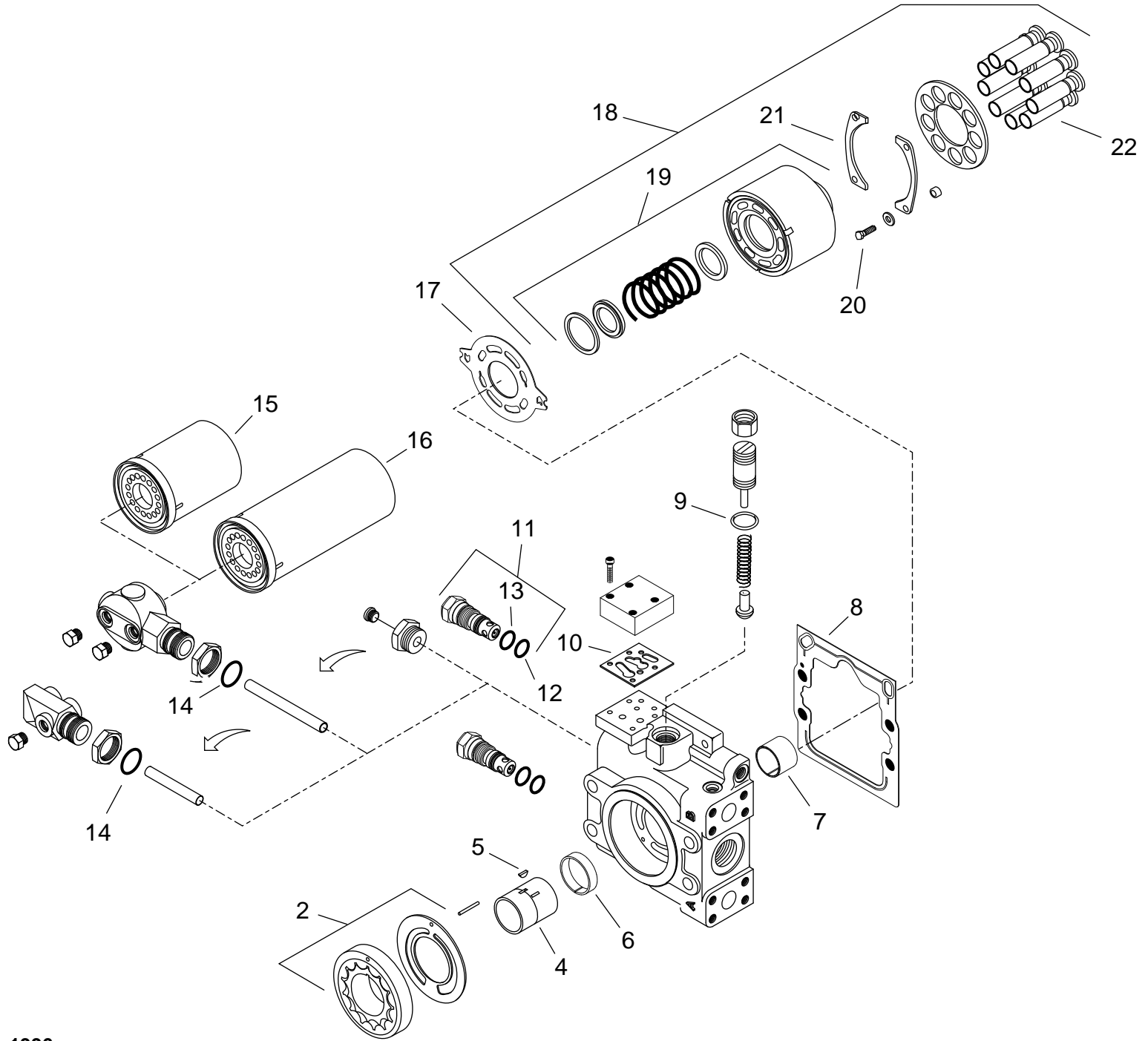


42 cc thru 250 cc

Axial Piston Pump

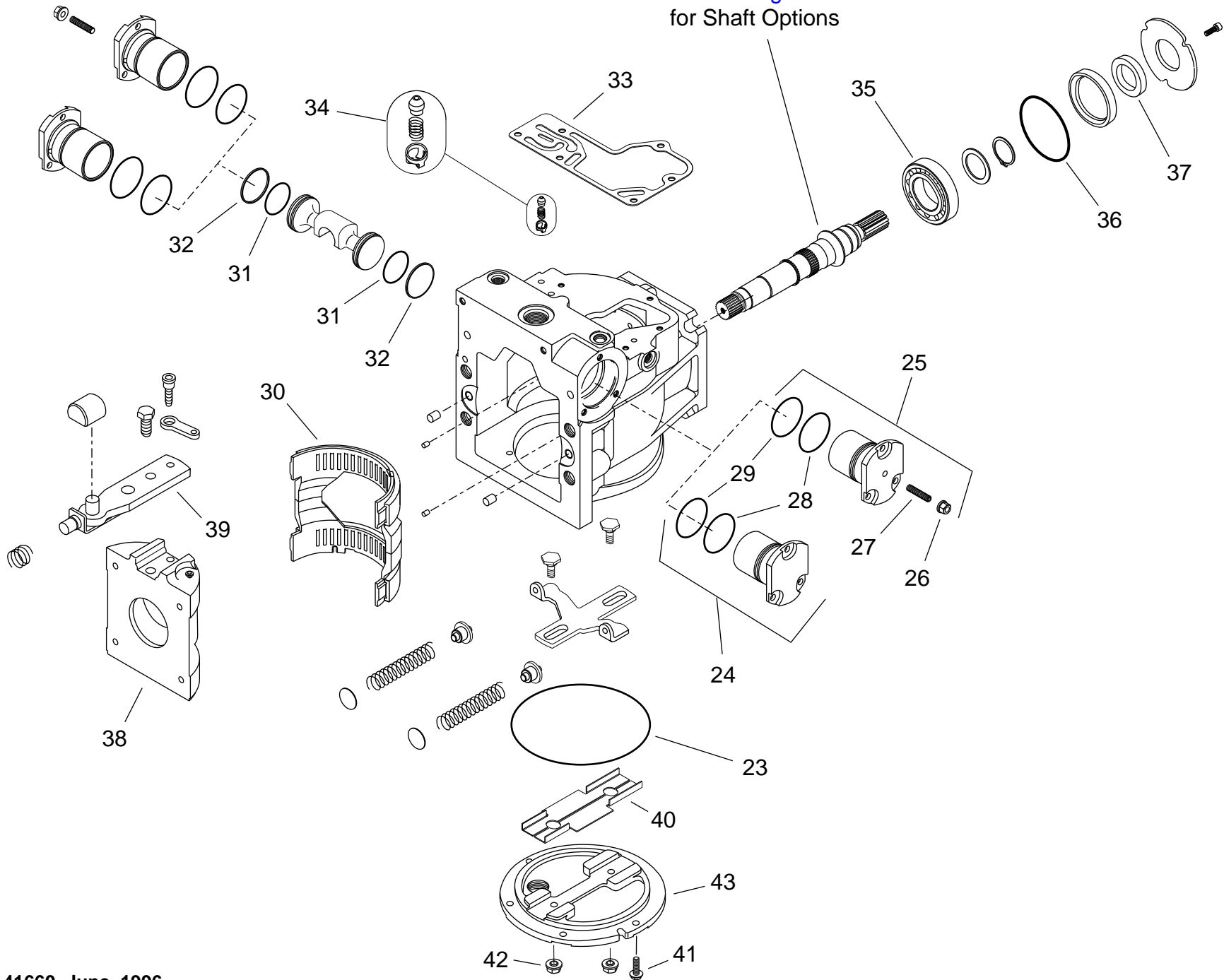
Quick Reference

Service Parts Manual



Item #	Description	42 cc	55 cc	75 cc	100 cc	130 cc	180 cc	250 cc
2	Charge Pump Set , 11cc/rev	501990	8000268	-	-	-	-	-
	14 cc/rev	501991	8000269	8100479	-	-	-	-
	17cc/rev	-	8000270	8100480	8200238	-	-	-
	20 cc/rev	-	-	8100481	8200239	501404	-	-
	26 cc/rev	-	-	-	8200240	501405	-	-
	34 cc/rev	-	-	-	-	501406	503517	-
	47 cc/rev	-	-	-	-	-	503518	504557
	65 cc/rev	-	-	-	-	-	-	505410
4	Charge Pump Shaft	505202	8000267	8100476	8100476	501399	503519	504439
5	Charge Pump Key	9003310-1206	9003310-1206	9003310-1208	9003310-1208	734608	734608	734608
6	End Cap Bushing	648055	8700008	8700008	8700008	303651	303651	303651
7	End Cap Journal Bearing	343830	8700018	8700013	8700030	303693	303693	504503
8	End Cap Gasket (twin)	506698	8000243	8100565	8200212	730895	501472	504417
	(side)	-	8000243	8100565	8200212	-	-	-
9	O-ring	9004201-6200	9004201-6200	9004201-6200	9004201-6200	9004201-7500	9004201-7500	9004201-7500
10	Gasket	-	-	-	-	-	689117	-
11	Multi-Function Valve (Range #1)	8510022-1	8510022-1	8510022-1	8510022-1	8510023-1	8510023-1	8510023-1
	Multi-Function Valve (Range #2)	8510022-6	8510022-6	8510022-6	8510022-6	8510023-6	8510023-6	8510023-6
12	O-ring	9004105-0190	9004105-0190	9004105-0190	9004105-0190	775155	775155	775155
13	O-ring	9004100-0200	9004100-0200	9004100-0200	9004100-0200	360784	360784	360784
14	O-ring	9004201-7500	9004201-9000	9004201-9000	9004201-9000	9004201-9000	9004201-9200	9004201-9200
15	Filter (short)	9700810	9700810	9700810	9700810	9700810	-	-
16	Filter (long)	8700068	8700068	8700068	8700068	8700068	-	-
17	V. Plate (EAA, FAA,NDN, NNN)	500337	8000071	8100145	8200041	700203	783050	507182
	(FAB, NBN)	500338	363713	363705	8200195	-	-	-
	(EBC, FAD, GBA, NSN, NWN)	758383	8000431	758409	501327	758425	-	-
	(EAB, FAC, GCA, NLN, NMN)	-	742064	737460	501328	739540	755983	-
	(GEA, SLN)	-	8000213	-	-	-	-	-
18	Cylinder Block Kit w/o speed ring	80520S07	80020S07	81020S07	82020S07	83020S07	8510160	8510148
19	Cyl. Block Assy. w/o speed ring	763920	8000128	8100267	8200124	302851	313767	504497
	Cyl. Block Assy. w/speed ring	-	8000336	8100525	8200277	503753	-	-
20	Screw	648477	9007276-0114	9007276-0099	9007276-0099	308643	308643	308643
21	Slipper Guide Bearing	321612	8000137	8100294	8200144	700963	313452	504377
22	Welded Piston Assembly	706101	367672	708230	364000	727750	313767	504501

See Page 6
for Shaft Options



Item #	Description	42 cc	55 cc	75 cc	100 cc	130 cc	180 cc	250 cc
23	O-ring	767962	9004104-1580	9004104-1600	9004104-1620	9004104-2590	746446	746446
24	Displ. Limiter Kit-No Limitation	8052F003-B	8002F003-A	8102F003-A	8202F003-A	8302F003-A	8510150	8510133
25	Displ. Limiter Kit-Limitation	8052F004-B	8002F004-A	8102F004-A	8202F004-A	8302F004-A	8510151	8510134
26	Nut	9003509-0008	9003509-0008	9003509-0008	9003509-0008	42432	649822	649822
27	Screw	9007712-0814	9007712-0814	9007712-0814	9007712-0814	572180	755033	755033
28	O-ring	706242	9004104-1330	9004104-1350	9004104-0350	354316	9004104-1520	9004104-1520
29	O-ring	338517	9004104-0310	9004104-0320	9004104-0340	9004100-0360	755272	755272
30	Bearing	345124	8000131	8700048	8200053	324657	746313	746313
31	O-ring	9004100-1220	9004100-1250	9004100-1270	9004100-1310	9004100-2240	755264	504627
32	Piston Ring	507796	8700065	8700066	8700067	507800	507801	507802
33	Control Gasket (MDC & EDC) (HDC)	8800520 K11419	8800520 K11419	8800923 K11420	8800923 K11420	8800923 K11420	8800923 K11420	8800923 K11420
34	Inlet Orifice Kit (.018" dia.) (.026" dia.) (.032" dia.) (.040" dia.) (.054" dia.) (.062" dia.)	8002T001-A 8002T002-A 8002T003-A 8002T004-A 8002T005-A 8002T006-A	8002T001-A 8002T002-A 8002T003-A 8002T004-A 8002T005-A 8002T006-A	8002T001-A 8002T002-A 8002T003-A 8002T004-A 8002T005-A 8002T006-A	8002T001-A 8002T002-A 8002T003-A 8002T004-A 8002T005-A 8002T006-A	8002T001-A 8002T002-A 8002T003-A 8002T004-A 8002T005-A 8002T006-A	8002T001-A 8002T002-A 8002T003-A 8002T004-A 8002T005-A 8002T006-A	8002T001-A 8002T002-A 8002T003-A 8002T004-A 8002T005-A 8002T006-A
35	Shaft Bearing	357616	314567	684076	683722	304857	746487	746487
36	O-ring	780247	9004104-1510	9004104-1530	9004104-1540	353961	353961	353961
37	Lip Seal	9008000-0118	9008000-0118	9008000-0115	9008000-0114	9008000-0114	9008000-0114	9008000-0114
38	Swashplate	788844	8000188	8100367	8200232	501188	770362	504347
39	Servo Arm Assembly	502976	8000318	8100499	8200268	303214	746339	746339
40	Side Cover Insert Assembly	506916	8000406	8100562	8200321	8300004	506914	506914
41	Screw	648477	5000206	5000206	5000206	308700	747642	747642
42	Nut	9003509-0006	9003509-0006	9003509-0008	9003509-0008	42432	42432	42432
43	Side Cover Assembly w/inserts	506380	8510097	8510098	8510099	506289	506290	506290
	Overhaul Gasket/Seal Kit	80520S30	80020S30	81020S30	82020S30	83020S30	8510062	8510149

Code	Description	42 cc	55 cc	75 cc	100 cc	130 cc	180 cc	250 cc
C3	Shaft, 15 t, 16/32 pitch spline	340521						
C6	Shaft, 21 t, 16/32 pitch spline		8000079	8100299				
C7	Shaft, 23 t, 16/32 pitch spline			8100266	8200169			
C8	Shaft, 27 t, 16/32 pitch spline					303495	748863	504338
F1	Shaft, 13 t, 8/16 pitch spline				8200170	335695	772590	504411
K1	Shaft, straight key, 1.375 O.D.		8000175					
	Key, 5/16 x 5/16 x 1 1/2		9003261-3124					
K2	Shaft, straight key, 1.5 O.D.			8100354				
	Key, 3/8 x 3/8 x 1 1/2			9003261-3724				
K3	Shaft, straight key, 1.75 O.D.				8200176			
	Key, 3/8 x 3/8 x 1 1/2				9003261-3724			
S1	Shaft, 14 t, 12/24 pitch spline			8100264	8200171			
S3	Shaft, 16 th, 12/24 pitch spline				8200172			
T1	Shaft, tapered, 1.375 nom. dia.		8000166					
	Key		9003310-3724					
T2	Shaft, tapered, 1.5 nom. dia.			8100283	8200173			
	Key			9003310-3724	9003310-3724			
T3	Shaft, tapered, 1.0 nom. dia.	342915						
	Key	9003310-2514						
T4	Shaft, tapered, 1.75 nom. dia.					346601		
	Key					9003326-0005		
TF	Shaft, tapered spline				8200179			

ALABAMA

None-see Berendsen- Marietta, GA
(770)419-3430

ALASKA

ANCHORAGE
ALASKA HYDRAULICS, INC.
(907)562-2217

ARIZONA

PHOENIX
AIR DRAULICS COMPANY
(602)254-8414

TUCSON

AIR DRAULICS COMPANY
(602)747-3070

ARKANSAS

LITTLE ROCK
BERENDSEN FLUID POWER, INC.
(501)490-0222

CALIFORNIA

BAKERSFIELD
BERENDSEN FLUID POWER, INC.
(805)393-1191

HAYWARD (San Francisco)
ZEMARC CORPORATION
(510)783-3964

LOS ANGELES
ZEMARC CORPORATION
(213)721-5598

SAN DIEGO
BERENDSEN FLUID POWER, INC.
(619)578-1910

SAN LEANDRO (San Francisco)
BERENDSEN FLUID POWER, INC.
(510)635-0500

SAN MARCOS (San Diego)
ZEMARC CORPORATION
(619)471-0901

W. SACRAMENTO
BERENDSEN FLUID POWER, INC.
(916)372-0550

WHITTIER (Los Angeles)
BERENDSEN FLUID POWER, INC.
(310)692-6912

YUBA CITY
BERENDSEN FLUID POWER, INC.
(916)674-3754

COLORADO

DENVER
BERENDSEN FLUID POWER, INC.
(303)373-4840

CONNECTICUT

NORTH HAVEN
HYDRO AIR OF CONNECTICUT
(203)248-8863

DELAWARE

None-see Fauver-Linthicum, MD
(410)636-9380

DISTRICT OF COLUMBIA

None-see Fauver-Linthicum, MD
(410)636-9380

FLORIDA

MIAMI
ACTION HYDRAULICS, INC.
(305)591-7273

ORLANDO
BERENDSEN FLUID POWER
(407)888-3577

WEST PALM BEACH
ACTION HYDRAULICS, INC.
(407)640-6066

GEORGIA

LAWRENCEVILLE
ADVANCED FLUID SYSTEMS
(770)963-6164

MARIETTA (Atlanta)
BERENDSEN FLUID POWER, INC.
(770)419-3430

HAWAII

HONOLULU
HAWAIIAN FLUID POWER
(808)833-4516

KAHULUI

HAWAIIAN FLUID POWER
(808)877-6881

IDAHO

BOISE
BERENDSEN FLUID POWER, INC.
(208)377-4822

LEWISTON

BERENDSEN FLUID POWER, INC.
(208)746-9677

POCATELLO

BERENDSEN FLUID POWER, INC.
(208) 232-6110

ILLINOIS

BLOOMINGTON
BERENDSEN FLUID POWER, INC.
(630)663-7070

ELMHURST (Chicago)

FAUVER COMPANY
(708)682-5010

LAKE FOREST (Chicago)

BERENDSEN FLUID POWER, INC.
(847)680-0050

ST. LOUIS, MO

BERENDSEN FLUID POWER, INC.
(314)469-9100

INDIANA

INDIANAPOLIS
FAUVER COMPANY
(317)387-4300

INDIANAPOLIS

FAUVER COMPANY
(317)875-8282

IOWA

CEDAR RAPIDS
FAUVER COMPANY
(319)366-6437

KANSAS

KANSAS CITY, MO 64120
BERENDSEN FLUID POWER, INC.
(816)483-3388

WICHITA

BERENDSEN FLUID POWER, INC.
(316)945-4455

KENTUCKY

LOUISVILLE
FAUVER COMPANY
(502)267-7461

LOUISIANA

HARAHAN (New Orleans)
BERENDSEN FLUID POWER, INC.
(504)734-0270

MAINE

PALERMO
HYDREPAIR, INC.
(207)993-2360

MARYLAND

LINTHICUM (Baltimore)
FAUVER COMPANY
(410)636-9380

MASSACHUSETTS

WESTBOROUGH
HYDRO AIR OF CONNECTICUT
(508)366-0895

MICHIGAN

FLINT
FAUVER COMPANY
(313)235-2501

GRAND RAPIDS
BERENDSEN FLUID POWER, INC.
(616)452-4560

KENTWOOD

FAUVER COMPANY
(616)957-5177

MADISON HEIGHTS

FAUVER COMPANY
(810)585-5252

SAGINAW

FAUVER COMPANY
(517)753-0474

TROY

FAUVER COMPANY
(810)649-6054

MINNESOTA

DULUTH
FAUVER COMPANY
(218)729-5241

EDEN PRAIRIE (Minneapolis)

FAUVER COMPANY
(612)943-1644

MISSISSIPPI

None-see Berendsen-Harahan, LA
(504)734-0270

MISSOURI

KANSAS CITY
FAUVER COMPANY
(816)452-4444

MARYLAND HEIGHTS (St. Louis)

FAUVER COMPANY
(314)993-6688

MONTANA

MISSOULA
BERENDSEN FLUID POWER, INC.
(406)549-4181

NEBRASKA

OMAHA
FAUVER COMPANY
(402)331-5240

NEVADA

SPARKS (Reno)
RENO HYDRAULIC & REBUILD, INC.
(702)356-2703

NEW HAMPSHIRE

None-Hydro-Air-North Haven, CT;
(203)248-8863

Hydrepair-Palermo, ME
(203)248-8863

NEW JERSEY

FAIRFIELD
HYDRO AIR, INC.
(201)575-0935

MAHWAH

POWER TECH HYDRAULICS
(201)934-9354

NEW MEXICO

ALBUQUERQUE
AIR DRAULICS COMPANY
(505)821-2899

NEW YORK

CLARENCE
FITZSIMMONS HYDRAULICS CO.
(716)759-8389

NORTH CAROLINA

CHARLOTTE
BERENDSEN FLUID POWER, INC.
(704)588-7723

NORTH DAKOTA

FARGO
FAUVER COMPANY
(701)280-1185

OHIO

CINCINNATI
FAUVER COMPANY
(513)247-9900

CLEVELAND
KRAFT FLUID SYSTEMS
(216)238-5545

HILLIARD (Columbus)
FAUVER COMPANY
(614)876-1261

NORTHWOOD (Toledo)
FAUVER COMPANY
(419)666-3404

STOW (Akron)
FAUVER COMPANY
(216)923-8855

OKLAHOMA

OKLAHOMA CITY
BERENDSEN FLUID POWER, INC.
(405)236-8065

TULSA
BERENDSEN FLUID POWER, INC.
(918)622-3781

OREGON

EUGENE
BERENDSEN FLUID POWER, INC.
(503)342-1804

PORTLAND
BERENDSEN FLUID POWER, INC.
(503)288-6061

PENNSYLVANIA

BELLE VERNON
KRAFT FLUID SYSTEMS
(412)872-6600

HORSHAM (Philadelphia)
HYDRO AIR OF PENNSYLVANIA
(215)675-3222

JOHNSTOWN
WEST PENN HYDRAULICS, INC.
(814)269-4994

MOUNT JOY
DONEGAL HYDRAULICS
(717)653-2298

PUERTO RICO

TOA BAJA
H & D CARIBBEAN, INC.
(809)251-1865

RHODE ISLAND

None-Hydro-Air-North Haven, CT
(203)248-8863

SOUTH CAROLINA

None-Berendsen-Charlotte, NC
(704)588-7723

SOUTH DAKOTA

None-see Fauver-Fargo, ND
(701)280-1185

TENNESSEE

MEMPHIS
BERENDSEN FLUID POWER, INC.
(901)332-0761

TEXAS

ARLINGTON (Dallas)
HYDRAQUIP CORPORATION
(214)660-7230

FARMERS BRANCH (Dallas)
BERENDSEN FLUID POWER, INC.
(214)401-3010

HOUSTON
HYDRAQUIP CORPORATION
(713)680-1951

HOUSTON
BERENDSEN FLUID POWER, INC.
(713)987-2117

HOUSTON
BERENDSEN FLUID POWER, INC.
(713)442-2800

LONGVIEW
HYDRAQUIP CORPORATION
(903)297-5812

SAN ANTONIO
HYDRAQUIP CORPORATION
(210)341-8896

UTAH

SALT LAKE CITY
BERENDSEN FLUID POWER, INC.
(801)977-0123

VERMONT

None-see Hydro-Air-North Haven, CT
(203)248-8863

Hydrepair-Palermo, ME (ASC Only)
(207)993-2360

VIRGINIA

RICHMOND
BERENDSEN FLUID POWER, INC.
(804)271-1909

WASHINGTON

BELLEVUE (Seattle)
HYDRAULIC COMPONENTS
(206)747-0927

SEATTLE
BERENDSEN FLUID POWER, INC.
(206)575-3736

SPOKANE
BERENDSEN FLUID POWER, INC.
(509)535-4281

WEST VIRGINIA

CHARLESTON
FAUVER COMPANY
(304)766-6206

WISCONSIN

MILWAUKEE
FAUVER COMPANY
(414)536-4001

WYOMING

None-see Berendsen-Denver, CO
(303)373-4840

CANADA

ALBERTA
CALGARY
BERENDSEN FLUID POWER, LTD.
(403)243-4533

EDMONTON
BERENDSEN FLUID POWER, LTD.
(403)465-7536

BRITISH COLUMBIA
DELTA (Vancouver)
INDUSTRIAL EQUIPMENT CO. LTD.
(604)946-1675

DELTA (Vancouver)
BERENDSEN FLUID POWER, LTD.
(604)520-6386

MANITOBA
WINNIPEG
MIDWEST HYDRAULICS, INC.
(204)783-2277

WINNIPEG
BERENDSEN FLUID POWER, LTD.
(204)786-7436

NEW BRUNSWICK

MONCTON
ROUSSEAU CONTROLS, INC.
(506)859-8992

NOVA SCOTIA

DARTMOUTH
BERENDSEN FLUID POWER, LTD.

ONTARIO

LIVELY (Sudbury)
BERENDSEN FLUID POWER, LTD.
(705)692-1873

LONDON
BERENDSEN FLUID POWER, LTD.
(519)681-3350

MARKHAM (Toronto)
BERENDSEN FLUID POWER, LTD.
(905)475-8770

MISSISSAUGA (Toronto)
J. N. FAUVER CANADA
(905)821-4230

NORTH BAY
FELDCAMP EQUIPMENT, LTD.
(705)472-5885

OAKVILLE (Toronto)
ITER-WEST TRADE SUPPLY INC.
905-825-2218

OLDCASTLE
J. N. FAUVER CANADA
(519)737-6925

STONEY CREEK
BERENDSEN FLUID POWER, LTD.
(905)560-6216

TIMMINS
BERENDSEN FLUID POWER, LTD.
705-268-4433

WINDSOR
BERENDSEN FLUID POWER, LTD.
(519)737-6993

QUEBEC

POINTE CLAIRE
ROUSSEAU CONTROLS, INC.
(514)695-1240

QUEBEC CITY
ENGRENAGE PROVINCIAL GEAR
(418)683-2745

QUEBEC CITY
ROUSSEAU CONTROLS, INC.
(418)871-7555

ST. LAURENT
BERENDSEN FLUID POWER, LTD.
(514)337-9412

ST. MALO
S. HUOT INC.
(418)681-0291

SASKATCHEWAN

REGINA
BERENDSEN FLUID POWER, LTD.
(306)721-2277

SASKATOON
BERENDSEN FLUID POWER, LTD.
(306)244-2011