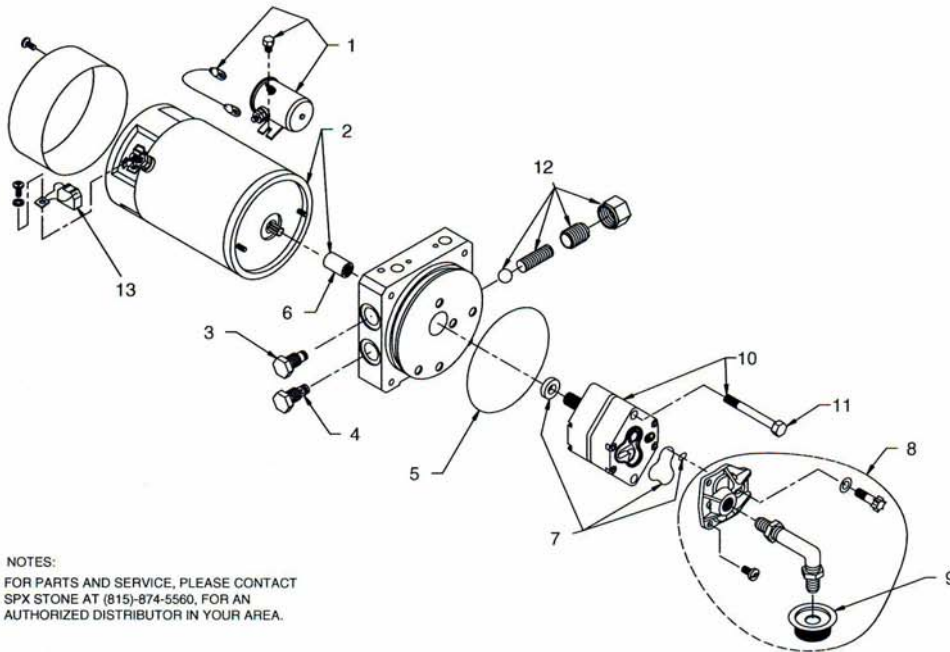


Distributor Power Unit Program

Internet Address:
<http://www.stonehydraulics.com>

12 VDC Check and Relief Valve



NOTES:
FOR PARTS AND SERVICE, PLEASE CONTACT
SPX STONE AT (815)-874-5560, FOR AN
AUTHORIZED DISTRIBUTOR IN YOUR AREA.

ITEM NO.	DESCRIPTION	STONE P/N	QTY.	REF.
1	SOLENOID STARTER ASSY 12v	KS1	1	KS1
2	DC MOTOR 12v	KMD1	1	KMD1
3	VALVE PLUG TWO WAY	2780-BA	1	KC07
4	VALVE CARTRIDGE CHECK	2507-AA	1	KC07
5	RESERVOIR O-RING	G1-1073-48	1	KN11
6	COUPLING	1118-AA	1	KMD1
7	PUMP O-RING KIT	K-40	1	-

ITEM NO.	DESCRIPTION	STONE P/N	QTY.	REF.
8	INLET PLUMBING KIT	KH	1	KH
9	FILTER	1611-AA	1	KH
10	PUMP ASSEMBLY	KP20	1	KP20
11	PUMP MOUNTING BOLT	2825-AA	2	KP20
12	ADJ. RELIEF VALVE ASSY	RV-2	1	KC07
13	MOTOR BRUSH KIT	K-90	1	-