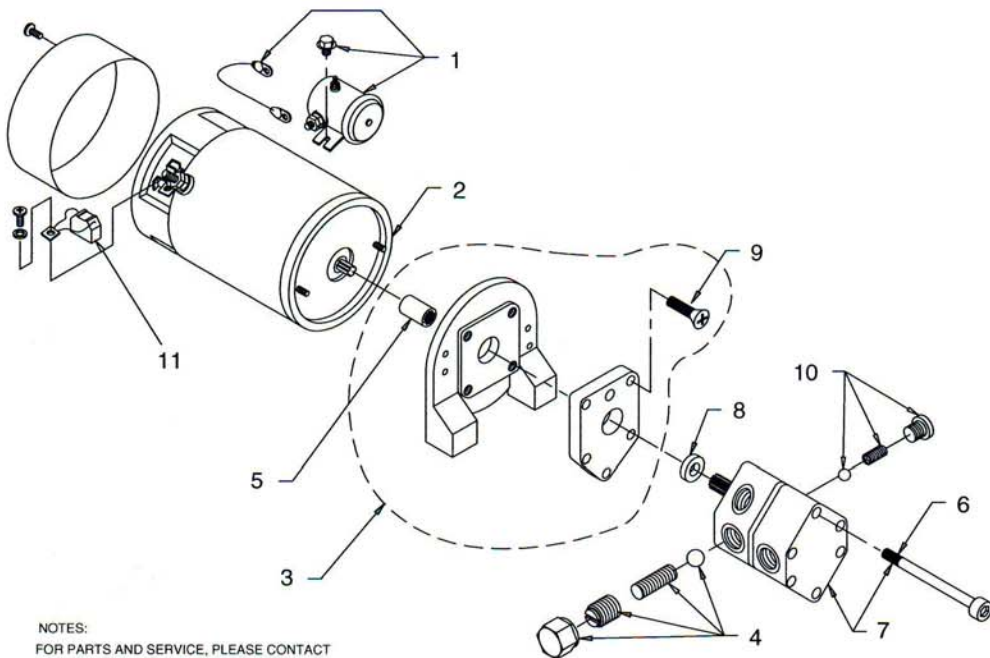


**Distributor Power Unit Program**Internet Address:  
<http://www.stonehydraulics.com>**12 VDC Auxiliary Power Unit  
Relief and Check Valve Only**

NOTES:  
FOR PARTS AND SERVICE, PLEASE CONTACT  
SPX STONE AT (815)-874-5560, FOR AN  
AUTHORIZED DISTRIBUTOR IN YOUR AREA.

ITEM NO.	DESCRIPTION	STONE P/N	QTY.
1	SOLENOID STARTER ASSY 12v	KS1	1
2	MOTOR	KMD1	1
3	MOTOR ADAPTOR KIT	K-61	1
4	ADJ. RELIEF VALVE ASSY	S8-6000-00	1
5	COUPLING	2441-BA	1
6	BOLT	2458-AA	2

ITEM NO.	DESCRIPTION	STONE P/N	QTY.
7	PUMP ASSEMBLY	PE-1063	1
8	SEAL	G2-1002-00	1
9	SCREW PHILLIPHEAD	F2-1051-00	4
10	CHECK VALVE KIT	S8-6000-01	1
11	MOTOR BRUSH KIT	K-90	1

Sheet No. 1 of 2

Rev. B Date: 06 Oct 2003