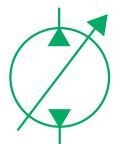
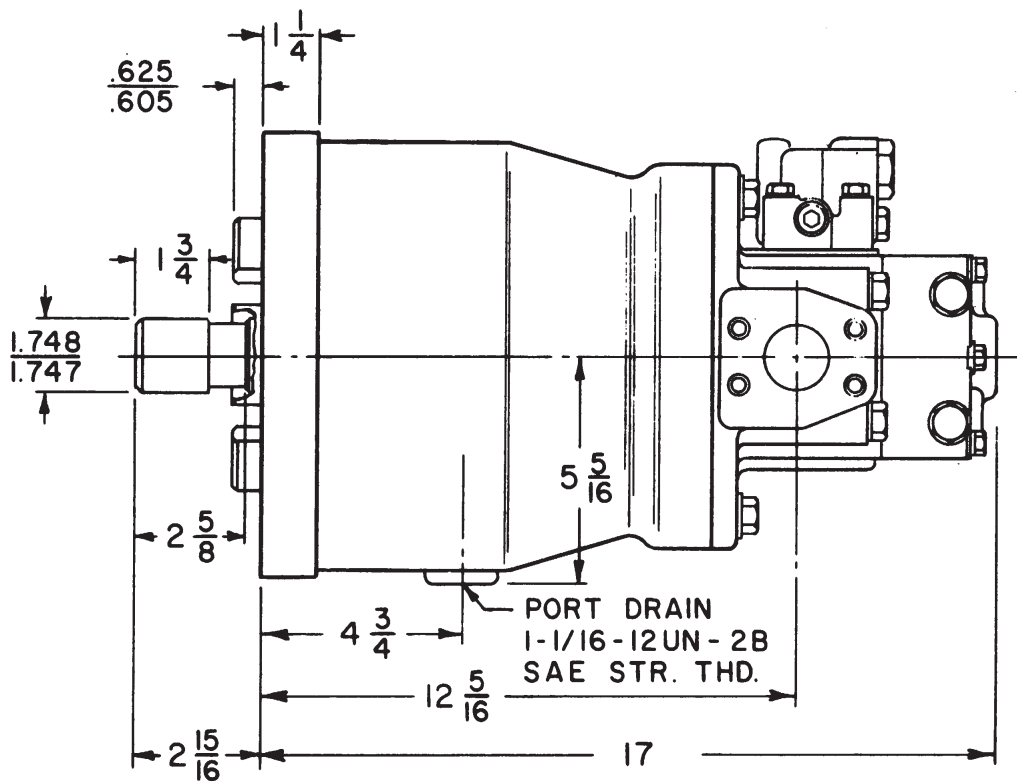


DynaPower Phase IV

Return to
DYNAPOWER index

Return to
MAIN index

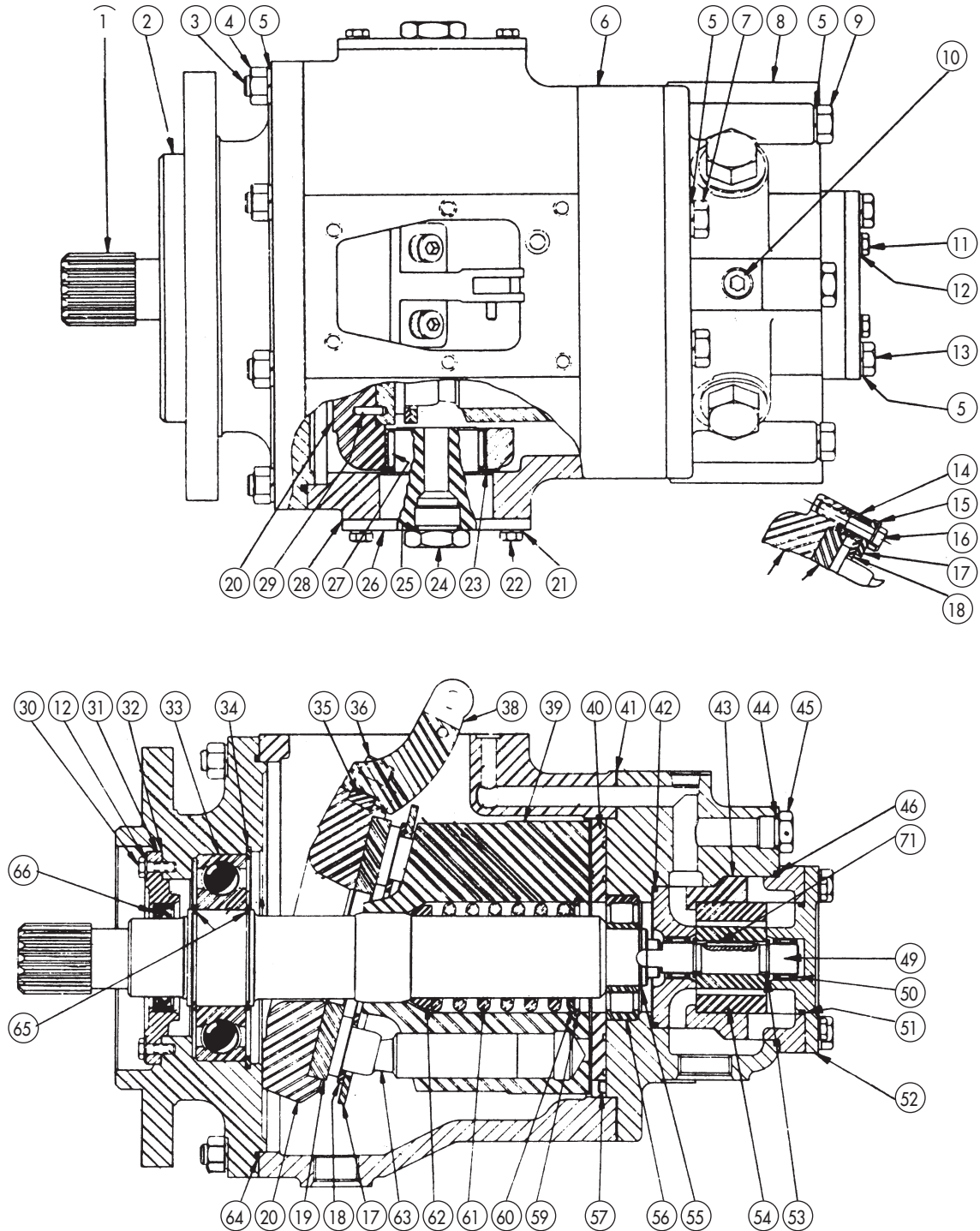


DYNAPOWER





DYNAPOWER MODEL 12.0 PHASE IV PISTON PUMP VALVE PLATE PARTS DRAWING





DYNAPOWER MODEL 12.0 PHASE IV PISTON PUMP VALVE PLATE

REF. NO.	PART NO.	REQ. NO	DESCRIPTION
1	841863	1	Shaft
2	840933	1	Flange
3	840946	8	Stud
4	870568	8	Hex Nut
5	870494	20	Lock Washer
6	830192	3	Housing Assem.
7	870228	4	Cap Screw
8	841957	1	Cover
9	870228	4	Cap Screw
10	872495	1	Pipe Plug
11	870170	6	Cap Screw
12	870480	12	Lock Washer
13	870248	4	Cap Screw
14	840982	4	Spacer (See Kit B)
15	840981	4	Tab Lock Washer (See Kit B)
16	870213	4	Cap Screw
17	840980	1	Plate (See Kit B)
18	840964	1	Return Plate
19	840902	1	Wear Plate (See Kit B)
20	840919	1	Cam
21	870491	12	Lock Washer
22	870172	12	Cap Screw
23	840947	2	Thrust Bearing
24	872678	2	Plug
25	871212	2	O` Ring (See Kit C)
26	841061	2	Ported Trunnion
27	871186	2	Bearing
28	840948	2	Gasket (See Kit C)
29	870071	1	Roll Pin
30	870150	6	Cap Screw
31	830000	1	Seal Assem.- Includes Item 66 (See Kit A)
31A	830270	1	H.P. Seal Assy. See Kit E)
32	840008	1	Gasket (Seal Retainer) (See Kit A & C)
33	871184	1	Bearing
34	871950	1	Retaining Ring
35	840909	1	Key
36	870889	2	Cap Screw
38	830193	1	Lever Assem.
39	841950	1	Block Assem. (See Kit B)
40	841948	1	Valve Plate



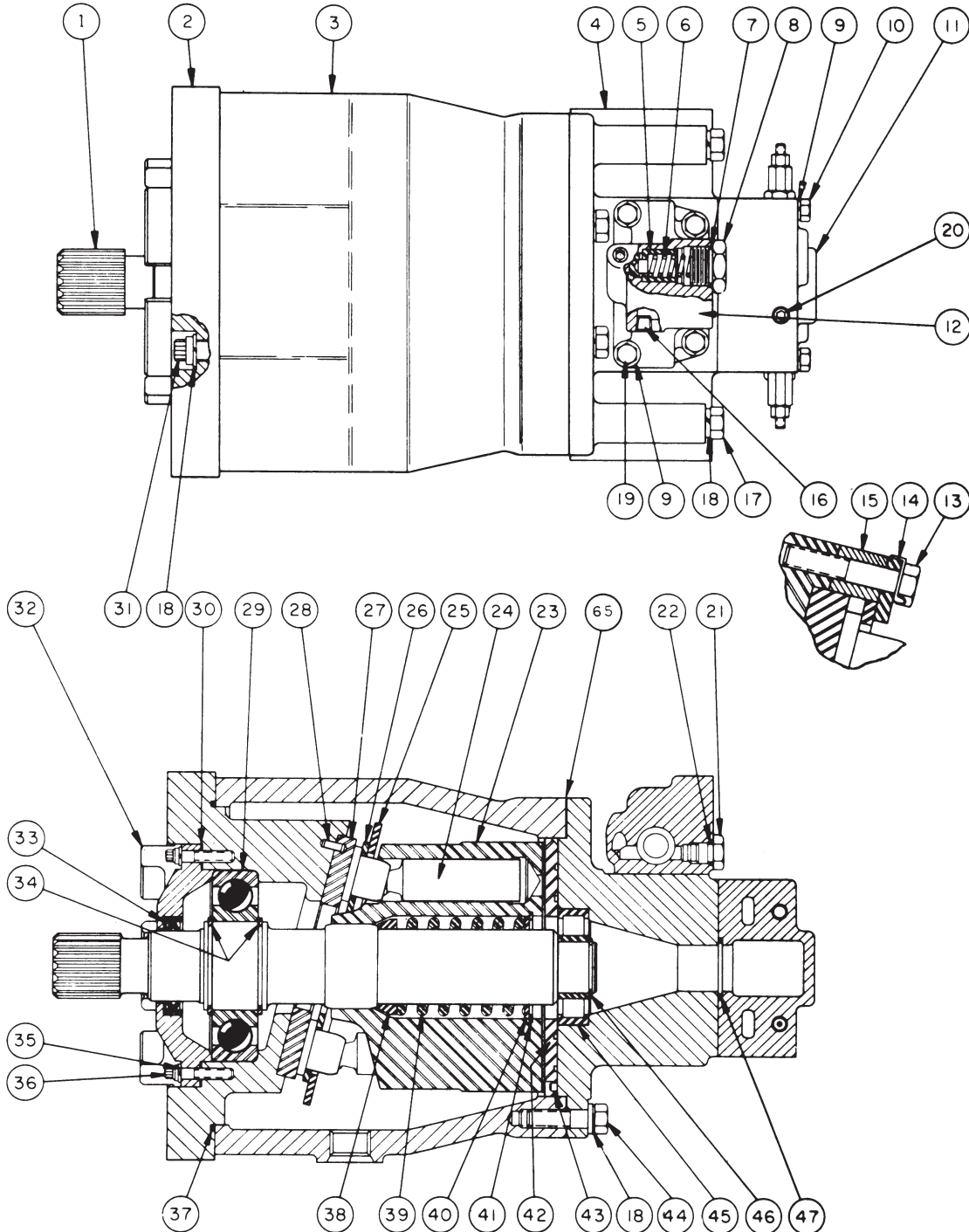
DYNAPOWER MODEL 12.0 PHASE IV PISTON PUMP VALVE PLATE

REF. NO.	PART NO.	REQ. NO	DESCRIPTION
41	841961	1	Gasket (Cover)
42	871152	1	O` Ring (See Kit C)
43	830389	1	Plate Assem. - Includes (1) Item 50
44	871114	1	O` Ring (See Kit C)
45	840037	1	Plug
46	871155	1	O` Ring (See Kit C)
49	841930	1	Shaft
50	872825	2	Bearing
51	871145	1	O` Ring (See Kit C)
52	830388	1	Plate Assem. - Includes (1) Item 50
53	872826	2	Retaining Ring
54	830390	1	Gear Set
55	871947	1	Retaining Ring
56	871187	1	Bearing
57	870095	1	Pin
59	872854	1	Retaining Ring (See Kit B)
60	840276	1	Spring Retainer (See Kit B)
61	840997	1	Spring (See Kit B)
62	840973	1	Spring Retainer (See Kit B)
63	830700	9	Piston Assem. (See Kit B)
64	875271	1	Sq. Ring
65	871952	2	Retaining Ring
66	870106	1	Seal (See Kit C)
66A	878107	1	H.P. Seal (See Kit E)
67	840924	2	Plug
68	871212	2	O` Ring (See Kit C)
69	840999	2	Spring
70	840925	2	Plunger
71	841931	1	Key

			SERVICE KITS
REF. NO.	PART NO.		DESCRIPTION
A	894098	1	Shaft Seal Kit - Includes Items 31 & 32
B	894357	1	Rotating Group - Includes Items 14,15,16,17,18,19,39,59,60,61,62 & 63 "
C	894358	1	Packing Kit - Includes 25,28,32,41,45,44,46,51,64, 66 & 68
D	894278	1	Charge Pump Replacement Kit - Includes Items 11,12, 42,43,46,49,51,52,53,54 & 71
E	894252	1	Shaft Seal Kit - Includes Items 31 & 32

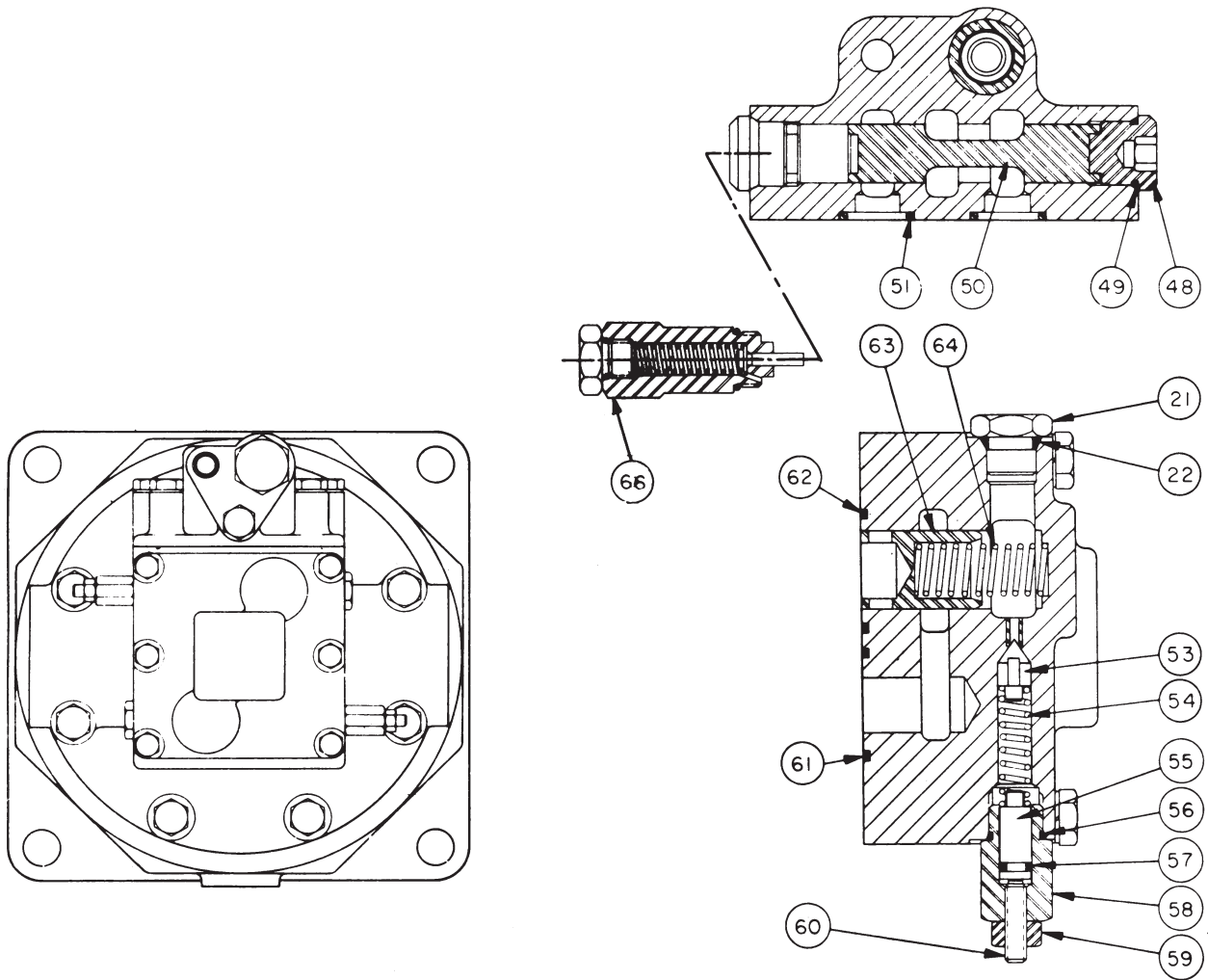


**DYNAPOWER MODEL 120 PHASE IV FIXED MOTOR
FIXED DISPLACEMENT WITH SAE 1-3/4" SPLINE
SHAFT & SIZE E FOUR BOLT MOUNTING FLANGE
PARTS DRAWING**





**DYNAPOWER MODEL 120 PHASE IV FIXED MOTOR
SERVICE KITS
PARTS DRAWING**





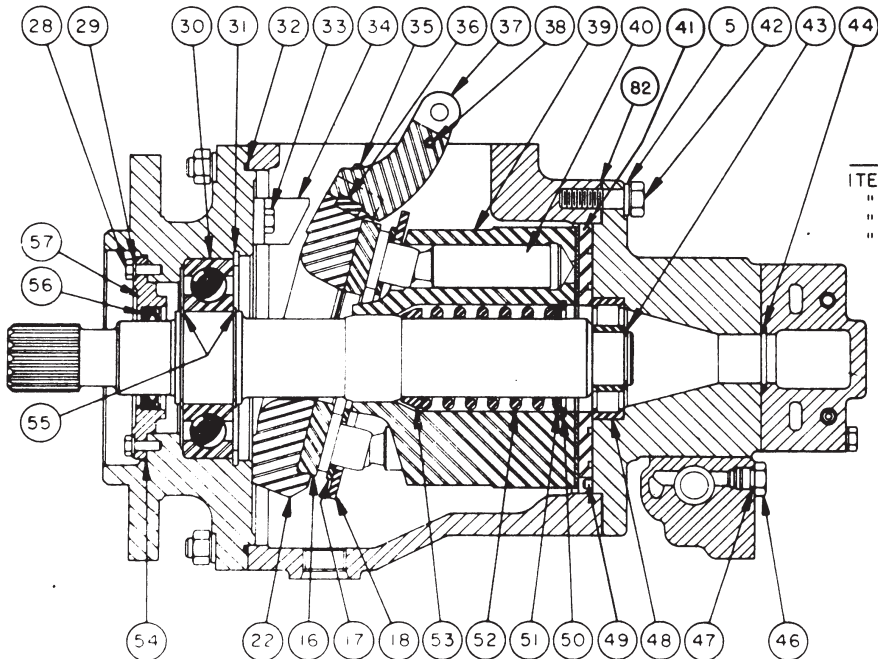
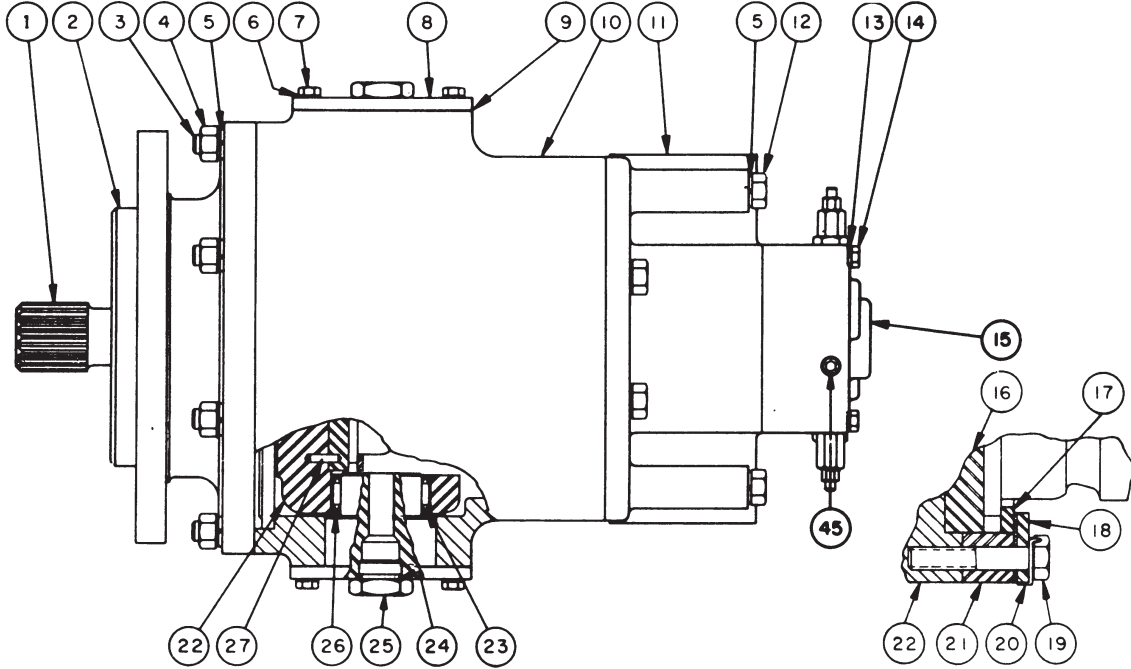
DYNAPOWER MODEL 12.0 PHASE IV FIXED MOTOR		
FIXED DISPLACEMENT WITH SAE 1-3/4" SPLINE SHAFT & SIZE E FOUR BOLT MOUNTING FLANGE		
REF. NO.	REQ. NO	DESCRIPTION
1	840978	Shaft
2	830252	Flange (Includes Item 28)
3	840962	Housing
4	841959	Cover
5	841862	Plunger - See Kit E
6	841028	Spring - See Kit E
7	871116	O'ring - See Kits D & E
8	841864	Plug - See Kit E
9	870492	Lock Washer - 10 Req'd. - See Kit E
10	870274	Cap Screw - 6 Req'd.
11	830448	Housing Assy.
12	841861	Housing - See Kit E
13	870213	Cap Screw - 4 Req'd. - See Kit B
14	840981	Washer Tab Lock - 4 Req'd. - See Kit B
15	840982	Spacer - 4 Req'd. - See Kit B
16	872494	Plug - See Kit E
17	870292	Cap Screw - 4 Req'd.
18	870494	Lock Washer - 16 Req'd.
19	870234	Cap Screw - 4 Req'd. - See Kit E
20	872493	Plug
21	872675	Plug - 3 Req'd.
22	871014	O'ring - 3 Req'd. - See Kit D
23	841950	Block - See Kit B
24	830700	Piston Assem. - 9 Req'd. - See Kit B
25	840980	Clip Return Plate - 2 Req'd. - See Kit B
26	840964	Return Plate - See Kit B
27	840902	Plate Cam Wear - See Kit B
28	870071	Pin
29	871184	Bearing
30	840971	Gasket - See Kits C & D
31	872683	Screw - 8 Req'd.
32	830200	Seal Plate Assem. - See Kit C Or G
	830257	H. P. Seal Assem. - See Kit G
33	870106	Seal - See Kits C & D
	878107	H. P. Seal - See Kit G
34	871952	Retaining Ring - 2 Req'd.
35	870491	Lock Washer - 6 Req'd.
36	870313	Screw - 6 Req'd.
37	875268	Sq. Ring - See Kit D
38	840973	Retainer - See Kit B
39	840997	Spring - See Kit B



DYNAPOWER MODEL 12.0 PHASE IV FIXED MOTOR		
FIXED DISPLACEMENT WITH SAE 1-3/4" SPLINE SHAFT & SIZE E FOUR BOLT MOUNTING FLANGE		
REF. NO.	REQ. NO	DESCRIPTION
40	842076	Retainer - See Kit B
41	872854	Retaining Ring - See Kit B
42	841948	Valve Plate - See Kit B
43	870095	Pin
44	870228	Cap Screw - 4 Req'd.
45	871187	Bearing
46	871947	Retaining Ring
47	871127	O'ring - See Kit D
48	840132	Plug - 2 Req'd. - See Kit E
49	871114	O'ring - 2 Req'd - See Kits D & E
50	840910	Shuttle - See Kit E
51	876115	O'ring - 2 Req'd. - See Kits D & E
53	840811	Valve - 2 Req'd.
54	841255	Spring - 2 Req'd.
55	841336	Seat - 2 Req'd.
56	871014	O'ring - 2 Req'd.
57	871010	O'ring - 2 Req'd.
58	841279	Seat - 2 Req'd.
59	870563	Nut - 2 Req'd.
60	872732	Screw - 2 Req'd.
61	876120	O'ring - 2 Req'd.
62	876123	O'ring - 2 Req'd.
63	840913	Body - 2 Req'd.
64	841027	Spring - 2 Req'd.
65	841961	Gasket - See Kit D
66	830249	Shuttle Cent'r Spring - 2 Req'd. - See Kit G
SERVICE KITS		
REF. NO.	REQ. NO	DESCRIPTION
B	894357	Rotating Group - Includes Items 13, 14, 15, 22, 23, 24, 25, 26, 27, 38, 39, 40 & 41
C	894161	Shaft Seal Kit - Includes Items 30, 32 & 33
D	894360	Packing Kit - Includes Items 7, 22, 30, 33, 37, 47, 49, 51, 56, 57, 61, 62 & 65
E	894257	Relief Valve Kit - L. P. - Includes Items 5, 6, 7, 8, 9, 12, 16, 19, 48, 49, 50 & 51
F	894165	Relief Valve Kit - H. P. - Includes Items 9, 10, 11, 20, 21 22, 47, 52, 53, 54, 55, 56, 57, 58, 59, 60, 61, 62 & 63"
G	894184	Shaft Seal Kit - Includes Items 30, 32 & 33
H	894172	Shuttle Cent'r G Spring Kit - Includes Item 66



**DYNAPOWER MODEL 12.0 PHASE IV VARIABLE MOTOR
VALVE PLATE DESIGN
PARTS DRAWING**



CAM STOP CHART

ITEM	34	0°	STOP	841067
"	"	5°	"	841068
"	"	7°	"	841069
"	"	10°	"	841070



DYNAPOWER MODEL 12.0 PHASE IV VARIABLE MOTOR

REF. NO.	PART NO.	NO. REQ.	DESCRIPTION
1	841863	1	Shaft
2	841105	1	Flange
3	840946	8	Stud
4	870568	8	Hex Nut
5	870494	20	Lock Washer
6	870491	12	Lock Washer
7	870172	12	Cap Screw
8	841061	2	Trunnion-Ported
9	840948	2	Gasket
10	830192	1	Housing Assembly
11	841962	1	Cover
12	870292	4	Cap Screw
13	870492	10	Lock Washer
14	870274	6	Cap Screw
15	830448	1	Housing Assembly
16	840902	1	Plate-Cam Wear-See Kit C
17	840964	1	Plate-Piston Return-See Kit C
18	840980	2	Plate-See Kit C
19	870213	4	Cap Screw-See Kit C
20	840981	4	Washer-Tab Lock-See Kit C
21	840982	4	Spacer-See Kit C
22	830194	1	Cam Assembly (Includes Items 23 & 27)
23	871186	2	Bearing
24	871212	2	O'Ring
25	872678	2	Plug
26	840947	2	Thrust Bearing
27	870071	1	Pin
28	870150	6	Cap Screw
29	870480	6	Lock Washer
30	871184	1	Bearing
31	871950	1	Retaining Ring
32	875271	1	Sq. Ring-See Kit E
33	870174	2	Cap Screw
34		1	See Cam Stop Chart-Other Side
35	870889	2	Cap Screw
36	840909	1	Key



DYNAPOWER MODEL 12.0 PHASE IV VARIABLE MOTOR

REF. NO.	PART NO.	NO. REQ.	DESCRIPTION
37	830193	1	Lever Assembly (Includes Item 38)
38	871058	1	Pin
39	841950	1	Block Assembly
40	830700	9	Piston Assembly
41	841948	1	Valve Plate
42	870228	4	Cap Screw
43	871947	1	Retaining Ring
44	871127	1	O'Ring
45	872493	1	Plug
46	872675	3	Plug
47	871014	3	O'Ring
48	871187	1	Bearing
49	870095	1	Pin
50	872854	1	Retaining Ring-See Kit C
51	842076	1	Spring Retainer-See Kit C
52	840997	1	Spring-See Kit C
53	840973	1	Spring Retainer-See Kit C
54	840008	1	Gasket-See Kits B & E
55	871952	2	Retaining Ring
56	870106	1	Seal-See Kit B
	878107	1	H.P. Seal-See Kit G
57	830000	1	Seal Retainer Assy-See Kit B (Includes Item 56)
	830270	1	H.P. Seal Assy-See Kit G (Includes Item 56)
59	840811	2	Valve Pilot
60	841255	2	Spring
61	841336	2	Seat
62	871014	2	O'Ring
63	871010	2	O'Ring
64	841279	2	Seat
65	870563	2	Nut
66	872732	2	Screw
67	876123	2	O'Ring
68	876120	2	O'Ring
69	840913	2	Body
70	841027	2	Spring
71	870234	4	Cap Screw-See Kit D



DYNAPOWER MODEL 12.0 PHASE IV VARIABLE MOTOR

REF. NO.	PART NO.	NO. REQ.	DESCRIPTION
72	872494	1	Plug-See Kit D
73	841861	1	Housing-See Kit D
74	840910	1	Shuttle-See Kit D
75	876115	2	O'Ring-See Kits D & E
76	871114	2	O'Ring-See Kits D & E
77	840132	2	Plug-See Kit D
78	841862	1	Plunger-See Kit D
79	841028	1	Spring-See Kit D
80	841864	1	Plug-See Kit D
81	871116	1	O'Ring-See Kit D
82	841961	1	Gasket-See Kit E
83	830249	2	Shuttle Cent'r Spring-See Kit H

SERVICE KITS

REF. NO.	PART NO.	DESCRIPTION
B	894098	Shaft Seal Kit-Includes Items 54 & 57
C	894357	Rotating Group Kit-Includes Items 16,17,18,19,20,21,39,40,41,50,51,52, & 53
D	894257	Relief Valve Kit-L.P.-Includes Items 13,71,72,73,74,75,76,77,78,79,80
E	894359	Packing Kit-Includes Items 9,24,32,44,47,54,56,62,63,67,68,75,76,82
F	894165	Relief Valve Kit-H.P.-Includes Items 13,14,15,44,45,46,47,58,59,60,61,62,63,64,65,66,67,68,69,70
G	894252	Shaft Seal Kit-Includes Items 54 & 57
H	894172	Shuttle Centr'g Spring Kit-Include Item 83